

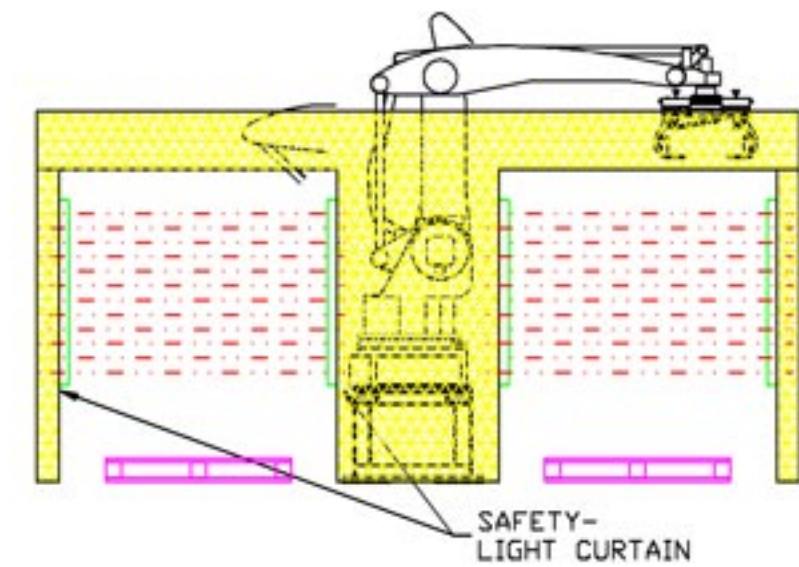
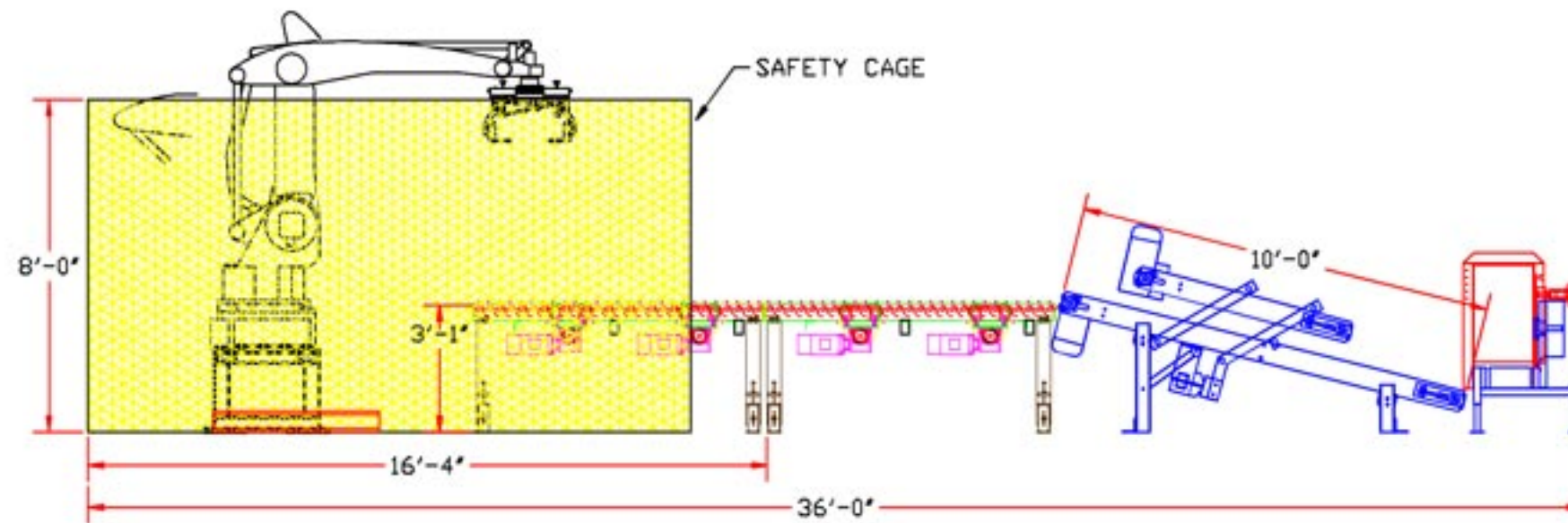
TINSLEY

EQUIPMENT COMPANY

SEMI-AUTOMATIC BAG PALLETIZING SYSTEM

Example 1

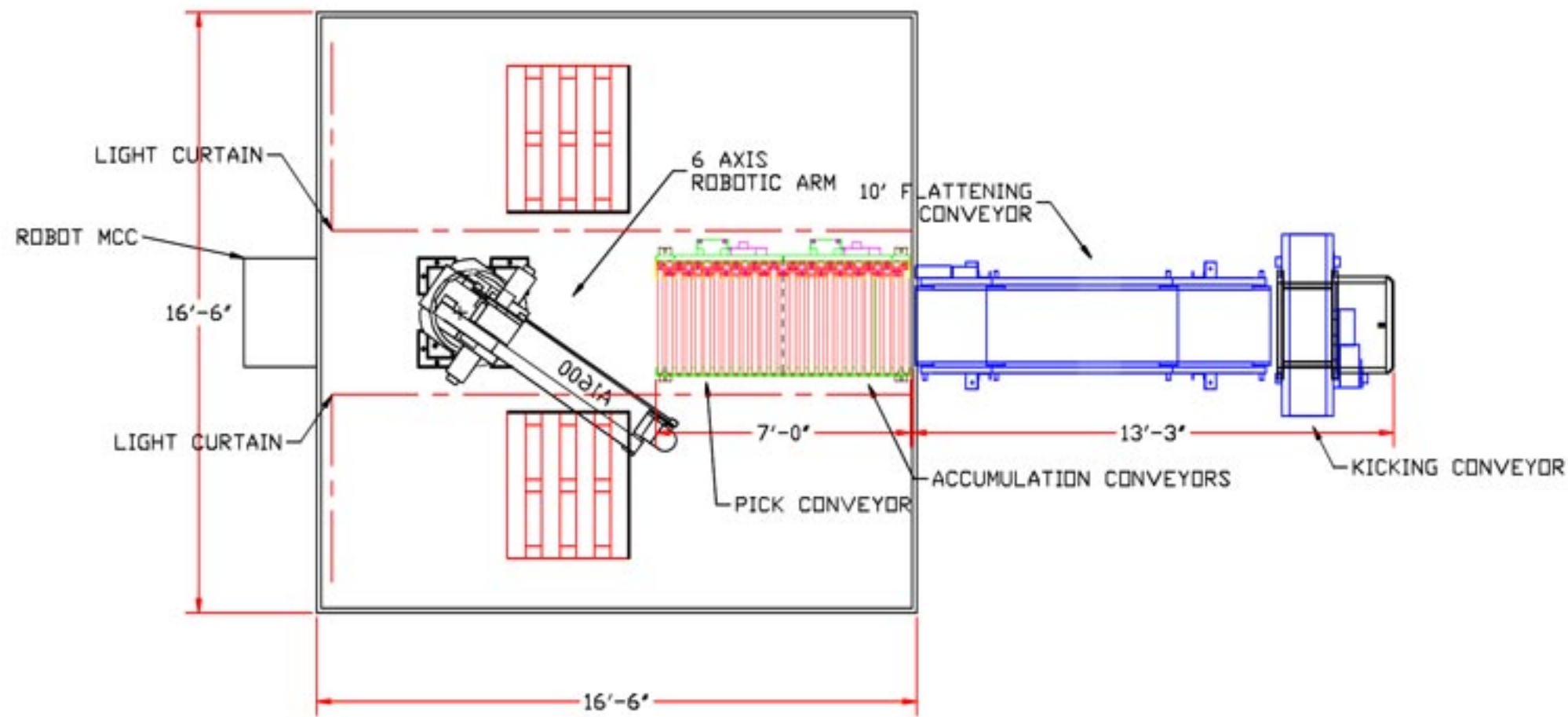
- 6-Axis Single Palletizing Robot
- Kicking Conveyor
- 10ft. Bag Flattening Conveyor
- 14ft. Accumulation + Pick Conveyor



FOR MORE INFO OR A PRICE QUOTE:

CONTACT

www.TinsleyCompany.com
Call: (979) 217-1480



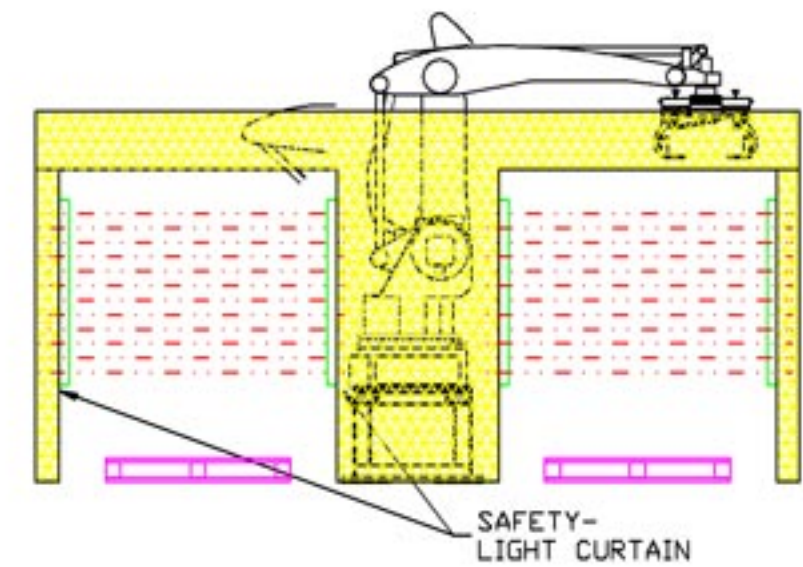
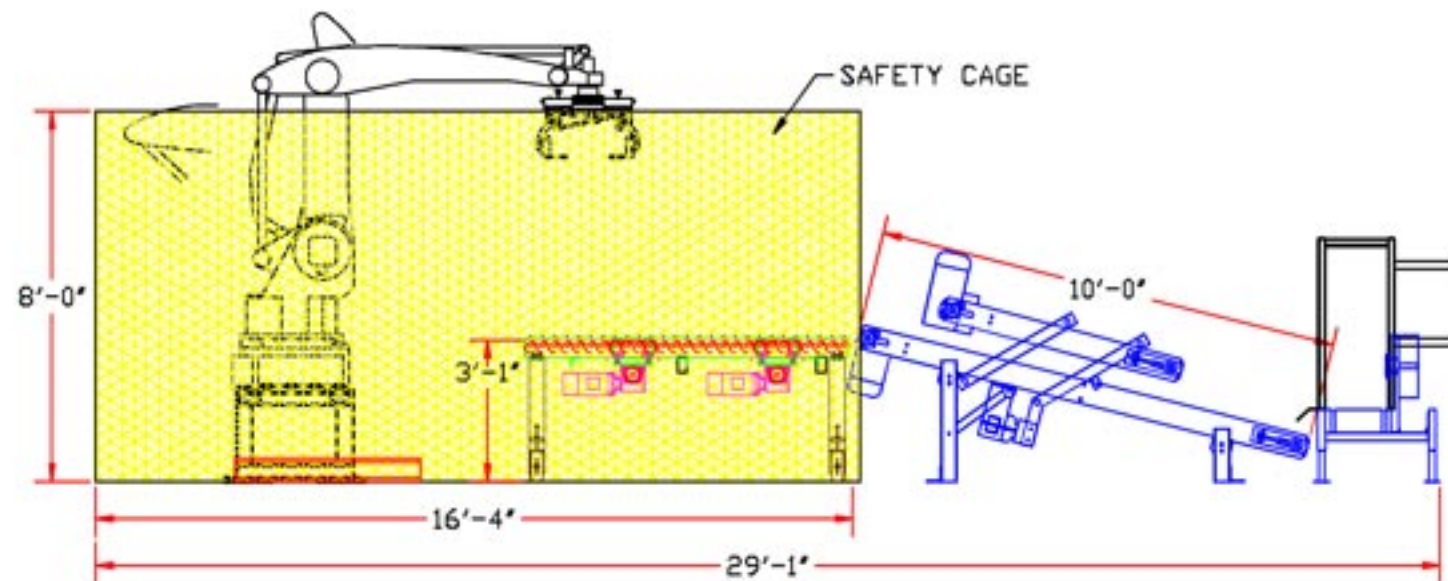
TINSLEY

EQUIPMENT COMPANY

SEMI-AUTOMATIC BAG PALLETIZING SYSTEM

Example 2

- 6-Axis Single Palletizing Robot
- Kicking Conveyor
- 10ft. Bag Flattening Conveyor
- 7ft. Accumulation + Pick Conveyor



FOR MORE INFO OR A PRICE QUOTE:

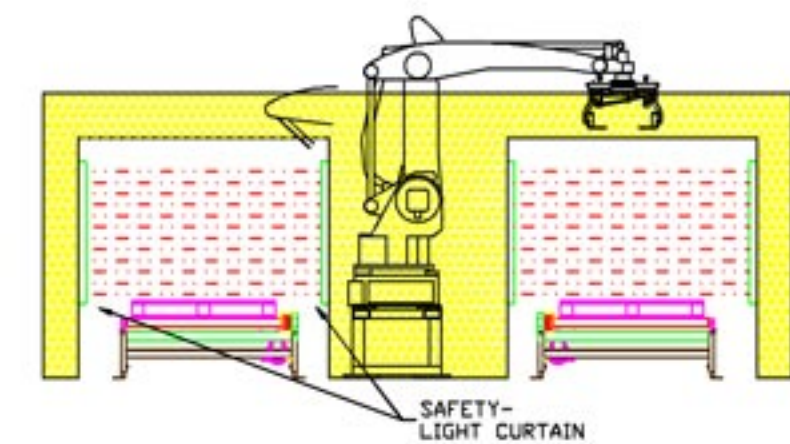
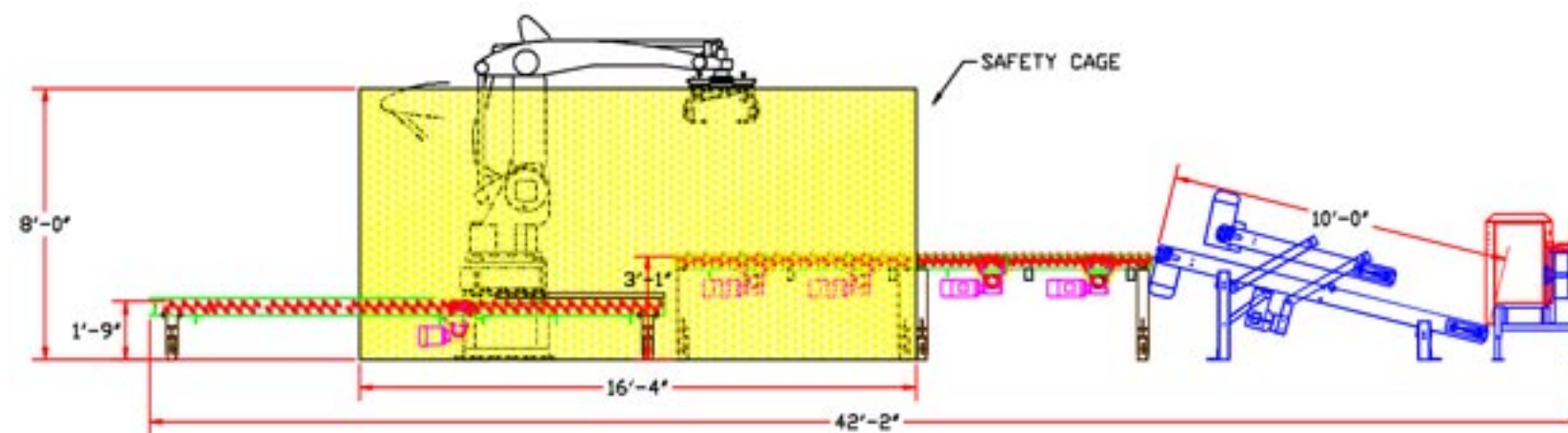
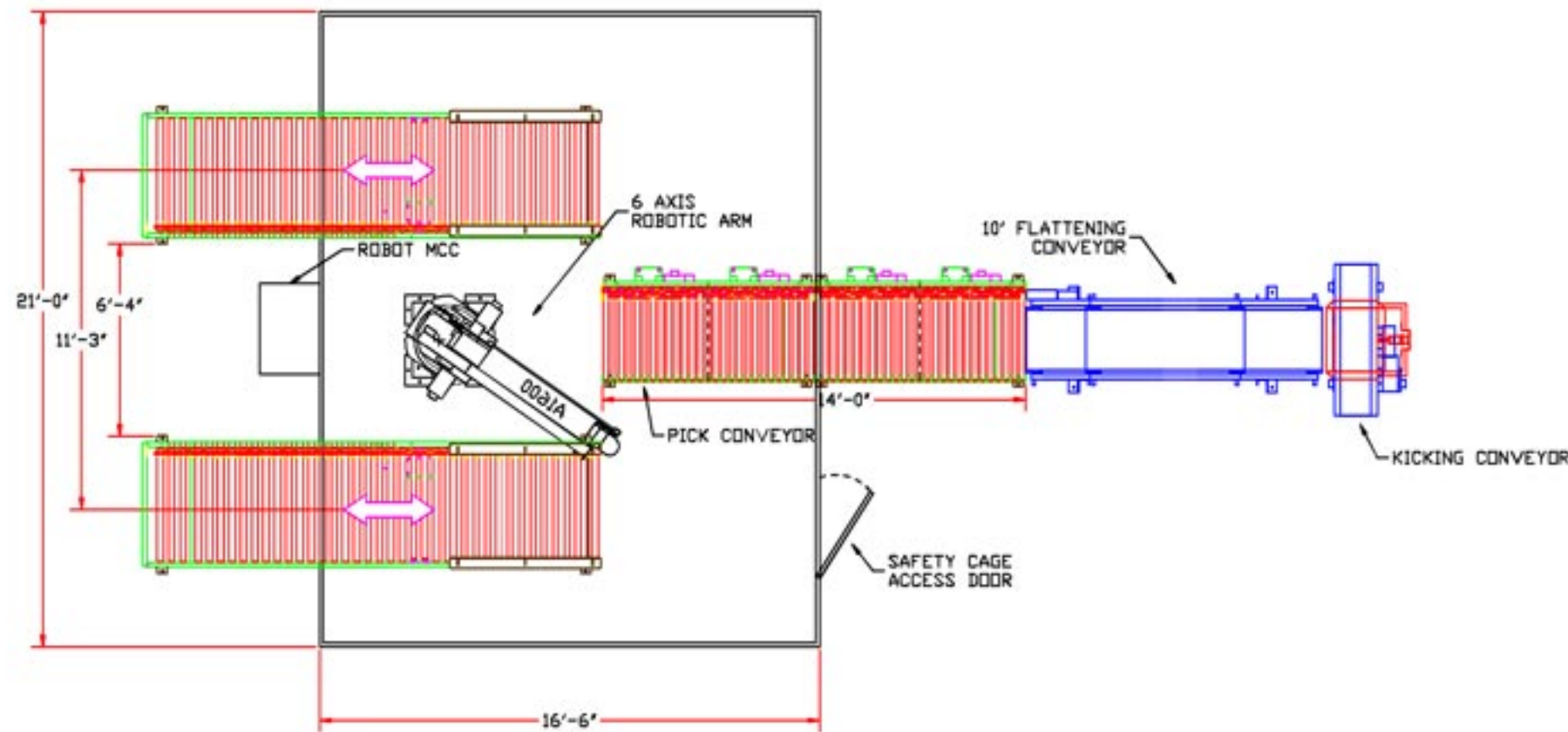
CONTACT

www.TinsleyCompany.com
Call: (979) 217-1480

SEMI-AUTOMATIC BAG PALLETIZING SYSTEM

Example 3

- 6-Axis Single Palletizing Robot
- Kicking Conveyor
- 10ft. Bag Flattening Conveyor
- 14ft. Accumulation + Pick Conveyor
- 15ft. Reversing Pallet Conveyors



FOR MORE INFO OR A PRICE QUOTE:

CONTACT

www.TinsleyCompany.com
Call: (979) 217-1480